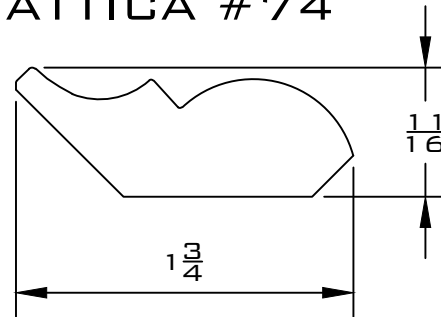


ATTICA #74



PROJECTION:

1 W X 1 1/2 H